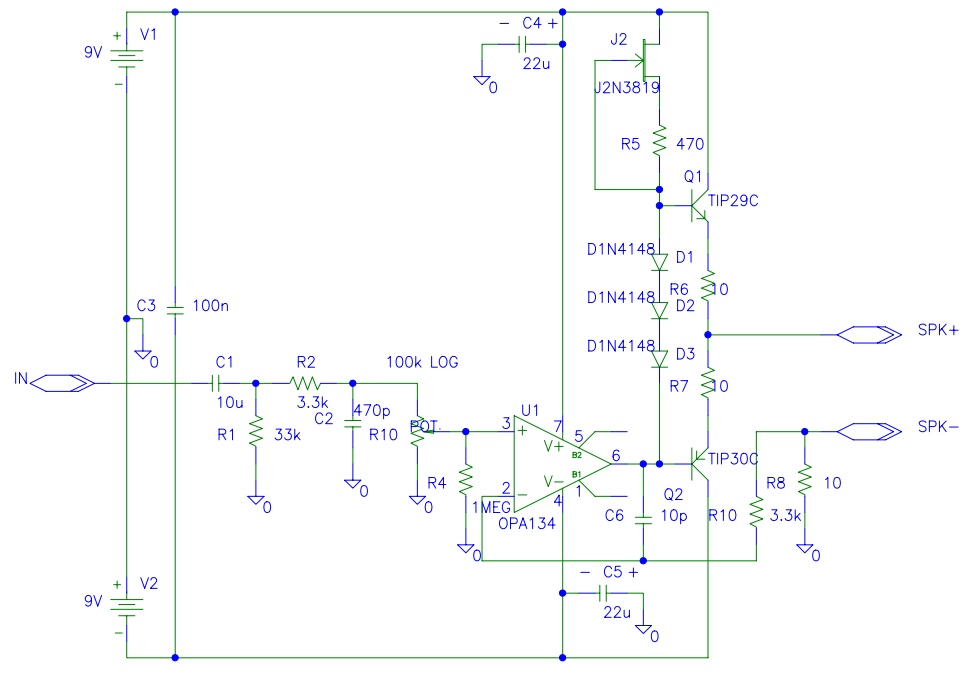


Voltage Amplifier Version



Current Source Version

LF411 Q2N3904 Q2N3904
 LF411 Q2N3906 Q2N3906

Read Research
 Warminster, Wiltshire
 England, UK
 www.readresearch.co.uk

Page Size: A4

Class-A Multi Purpose Amplifier

Revision: 1.0

26 Apr 2005

Page

1 of 1